

3-150L/SL



Carriers

4400 - 11000lb

Loaders & Skid Steers

Screening Area

17 inches x 59 inches

Weight

1485lbs

Capacity

0.46yd³

Flow

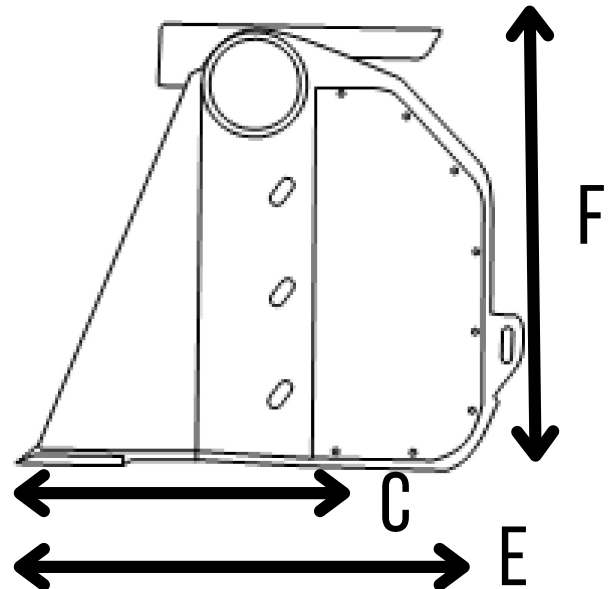
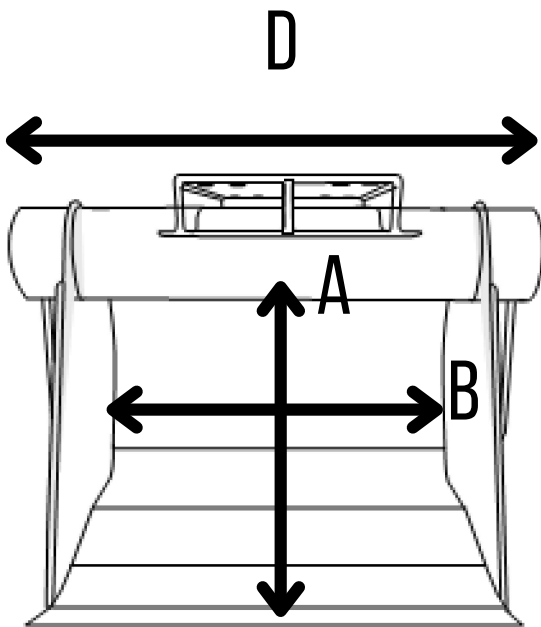
18 gpm/us

Dimensions

A - 17 inches D - 70 inches

B - 59 inches E - 40 inches

C - 24 inches F - 28 inches



True Compact Screening
Low maintenance System
Poly-Stars screen without crushing
Non-stick floor as standard